

FIG. 1

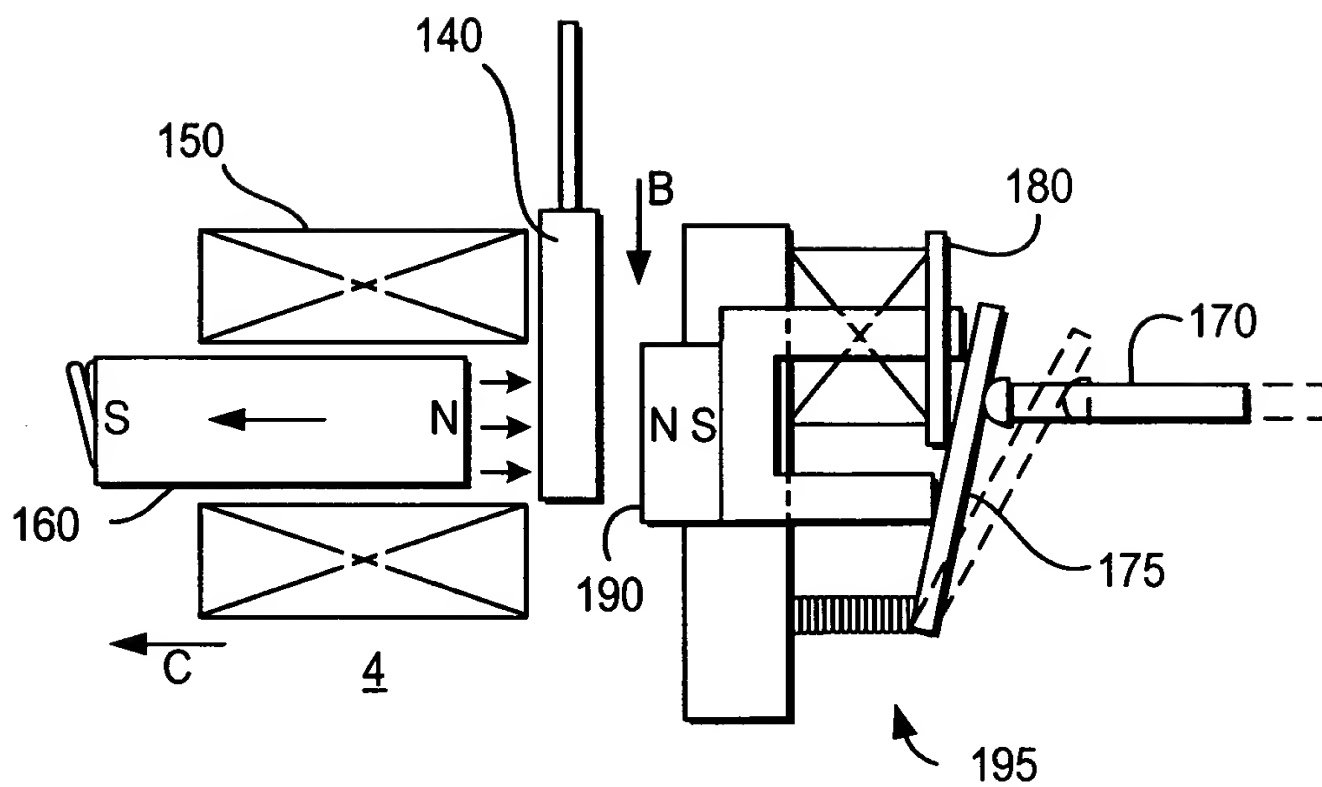


FIG. 2

Annotated
Marked-Up Drawings

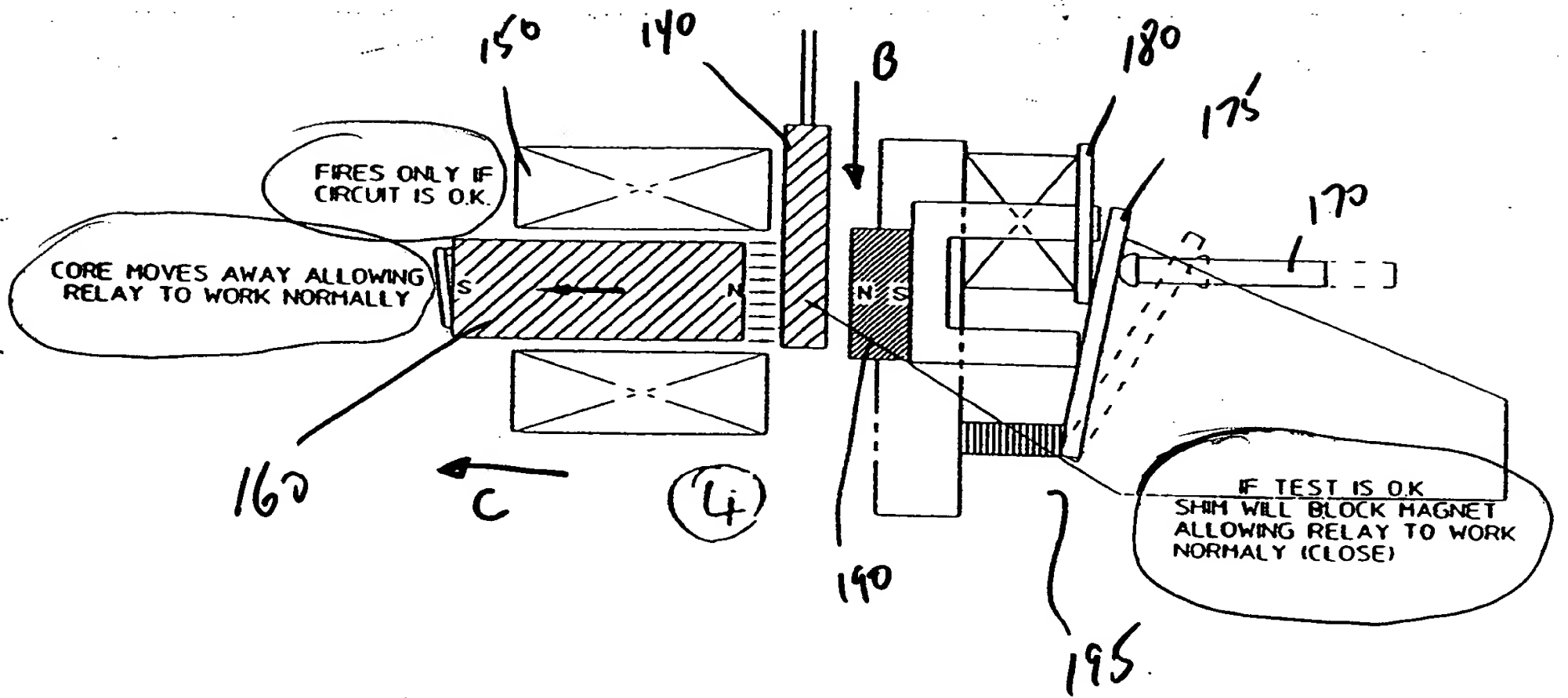


Fig. 2